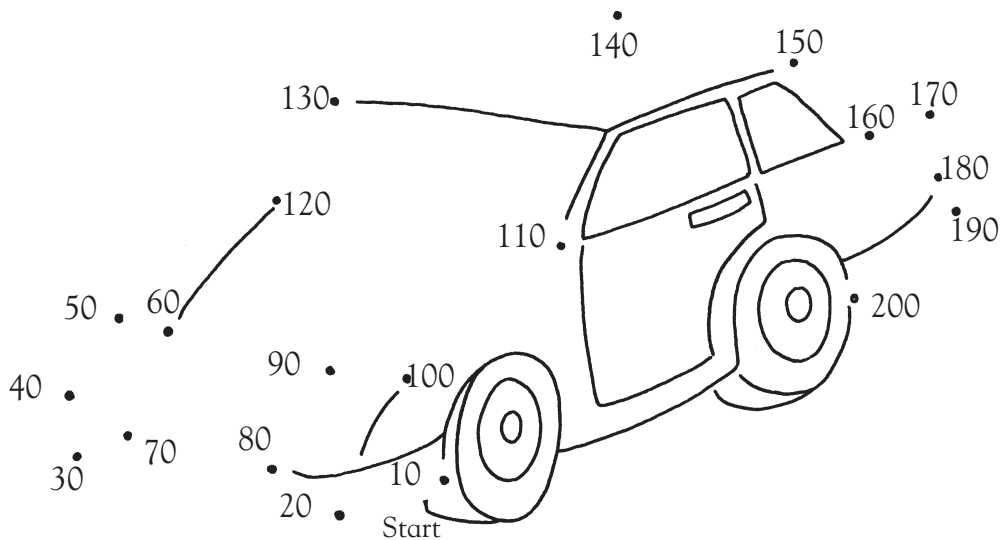
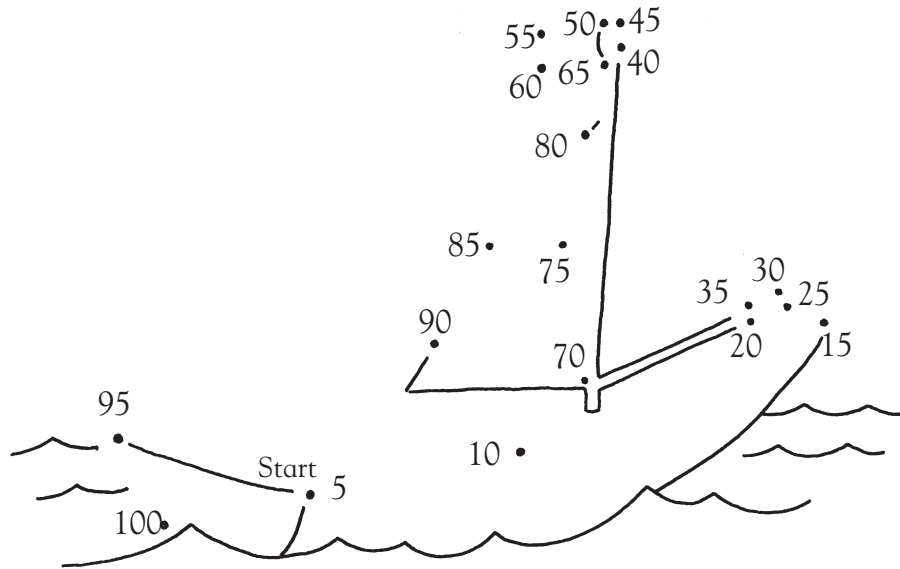
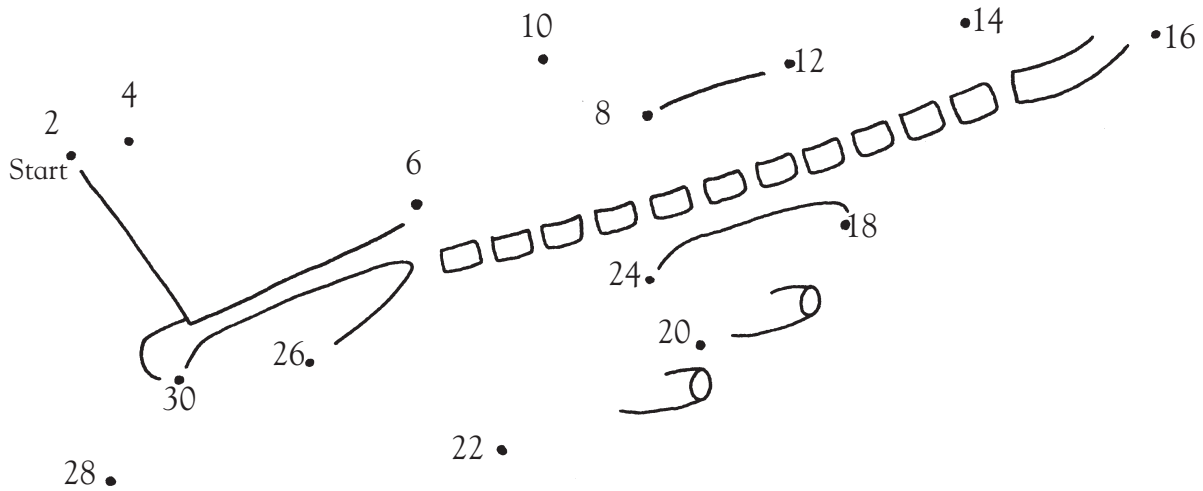


2s, 5s, and 10s



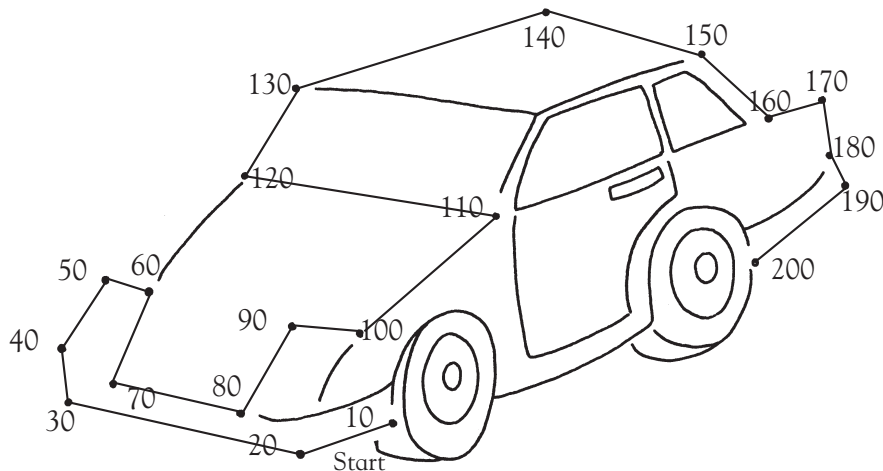
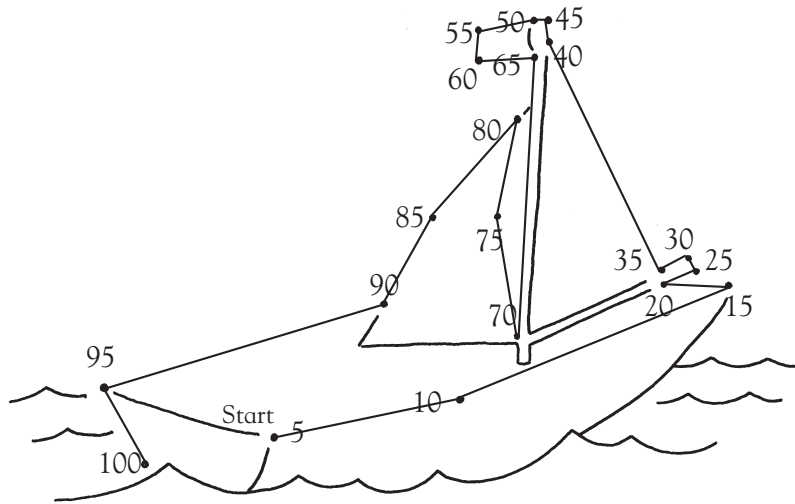
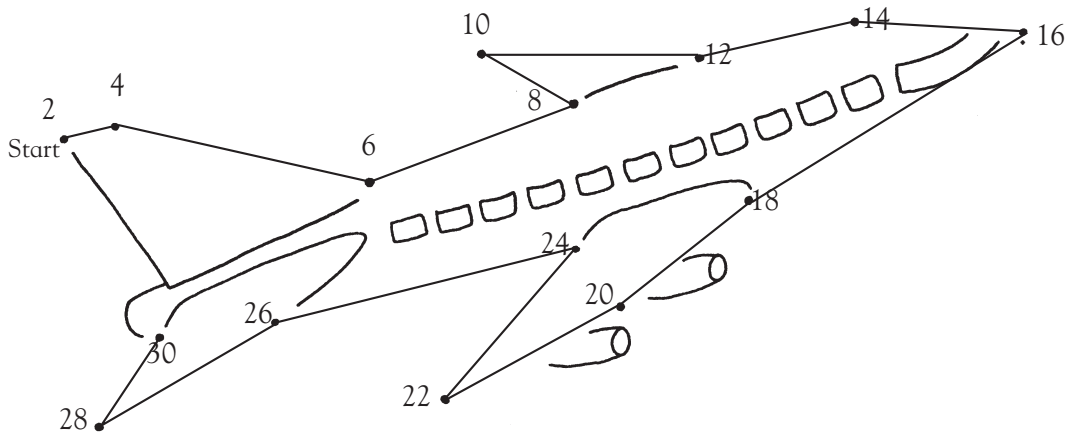
Count by 2s, 5s, and 10s to help you connect the dots.



2s, 5s, and 10s



Count by 2s, 5s and 10s to help you connect the dots.



Make sure that children understand the patterns in the number sequences. Have them practice counting by 2s, 5s, and 10s before connecting the dots.